

PARTS LIST

AIR DISC BRAKES

LIT NO: L1063

DATE: April 2012

REVISION: A

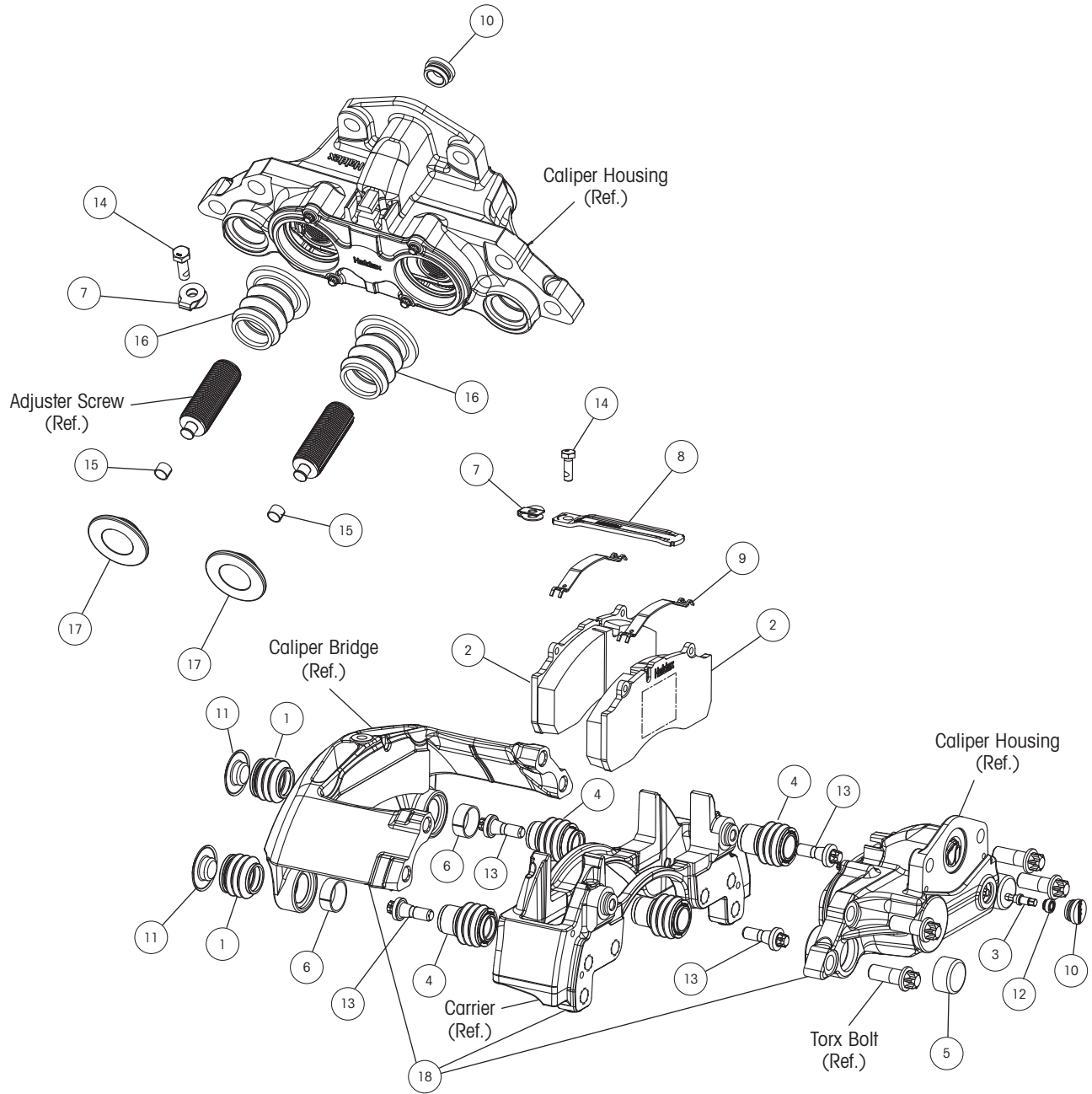


TABLE OF CONTENTS

AIR DISC BRAKE KIT – HALDEX DB22LT	2 - 3
AIR DISC BRAKE KIT – HALDEX DB22LD	4 - 5
AIR DISC BRAKE KIT – BENDIX ADB22X	6 - 7
AIR DISC BRAKE KIT – WABCO PAN-22	8 - 9



AIR DISC BRAKE KIT – HALDEX DB22LT



View 1
Haldex DB22LT Exploded View

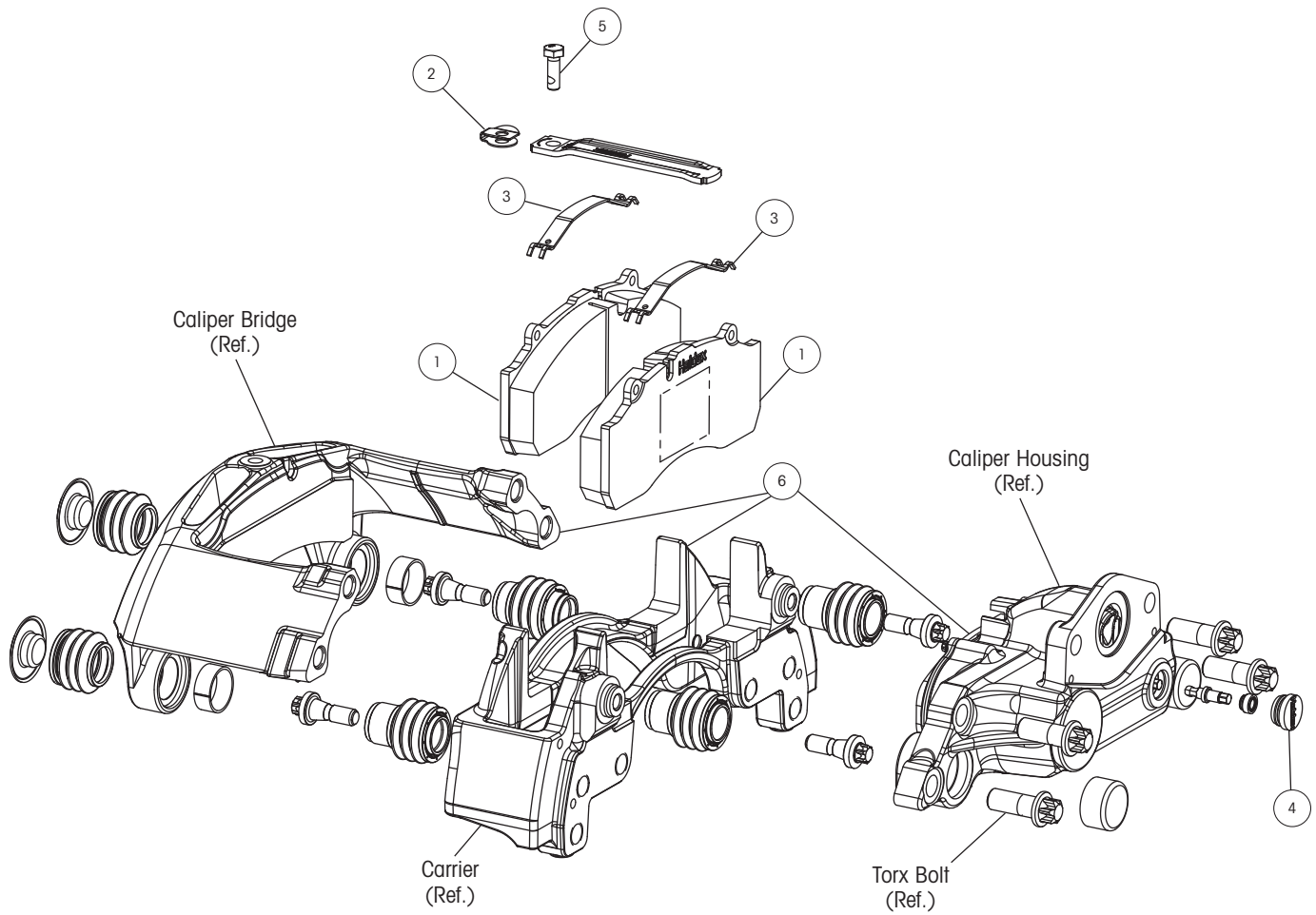
**PARTS DETAIL - HALDEX DB22LT** *(See View 1 for Image)*

Item	Description
1	Protection Boots
2	Pad
3	Adjustment Shaft
4	Slide Pin
5	Protection Cup
6	Slide Bushing
7	Locking Tab
8	Pad Retainer
9	Pad Spring
10	Plug
11	Protection Cap
12	Radial Seal
13	Slide Pin Attaching Bolt
14	Bolt
15	Bushing
16	Protection Boot
17	Thrust Plate
18	Caliper Assembly <i>(Not available through Hendrickson. Contact Bendix for replacement parts.)</i>

AIR DISC BRAKE COMPONENTS - HALDEX DB22LT *(See View 1 for image)*

PART NO.	DESCRIPTION	CONTAINS	WILL SERVICE
S-30560-1	Special Assembly Tool Kit	1 Special Assembly Tool Kit	N/A
S-30560-2	Adjustment Hex Seal Kit	2 Plugs, 2 Radial Seals	One Kit Per Axle
S-30560-3	Pad Retainer with Bolt Kit	2 Locking Tabs, 2 Pad Retainers, 2 Bolts	One Kit Per Axle
S-30560-4	Adjustment Hex Repair Kit with Shaft	2 Adjustment Shafts, 2 Plugs, 2 Radial Seals	One Kit Per Axle
S-30560-5	Complete Slide Pin Kit	6 Protection Boots, 4 Slide Pins, 2 Protection Cups, 4 Slide Bushings, 1 Locking Tab, 1 Plug, 2 Protection Caps, 4 Slide Pin Attaching Bolts, 1 Bolt	One Kit Per Wheel End
S-30560-6	Complete Slide Pin Bushing Kit	6 Protection Boots, 2 Protection Cups, 4 Slide Bushings, 1 Locking Tab, 1 Plug, 2 Protection Caps, 1 Bolt	One Kit Per Wheel End
S-30560-7	Bushing Repair Kit	1 Protection Bolt, 2 Protection Cups, 1 Slide Bushing, 1 Locking Tab, 1 Plug, 1 Bolt, 2 Protection Caps	One Kit Per Slide Pin
S-30560-8	Brake Pad Kit D22LT (Air Disc Only)	2 Pads, 1 Locking Tab, 2 Pad Springs, 1 Plug, 1 Bolt	One Kit Per Wheel End
S-30560-9	Seal Kit For Actuator Piston Assembly	1 Locking Tab, 1 Bolt, 2 Bushings, 2 Protection Boots, 2 Thrust Plates	One Kit Per Wheel End

AIR DISC BRAKE KIT – HALDEX DB22LD



View 2
HalDEX DB22LD Exploded View



PARTS DETAIL - HALDEX DB22LD *(See View 2 for Image)*

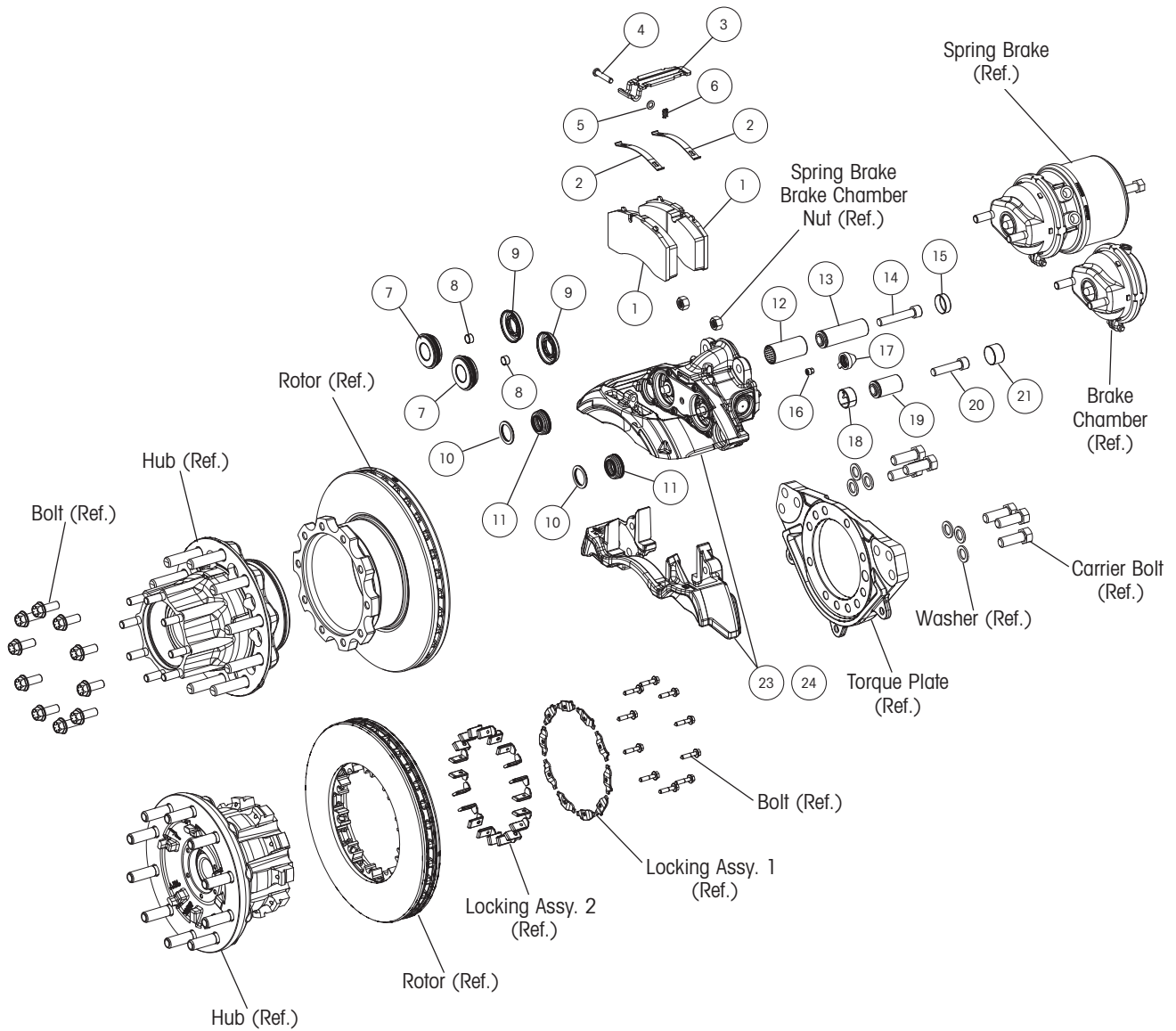
Item	Description
1	Pad
2	Locking Tab
3	Pad Spring
4	Plug
5	Bolt
6	Caliper Assembly <i>(Not available through Hendrickson. Contact Bendix for replacement parts.)</i>

AIR DISC BRAKE COMPONENTS - HALDEX DB22LD *(See View 2 for Image)*

PART NO.	DESCRIPTION	CONTAINS	WILL SERVICE
S-30674	Brake Pad Kit (D22LD Air Disc Only)	2 Pads, 1 Locking Tab, 2 Pad Springs, 1 Bolt, 1 Plug	One Kit Per Wheel End



AIR DISC BRAKE KIT – BENDIX ADB22X



View 3
Bendix ADB22X Parts Detail

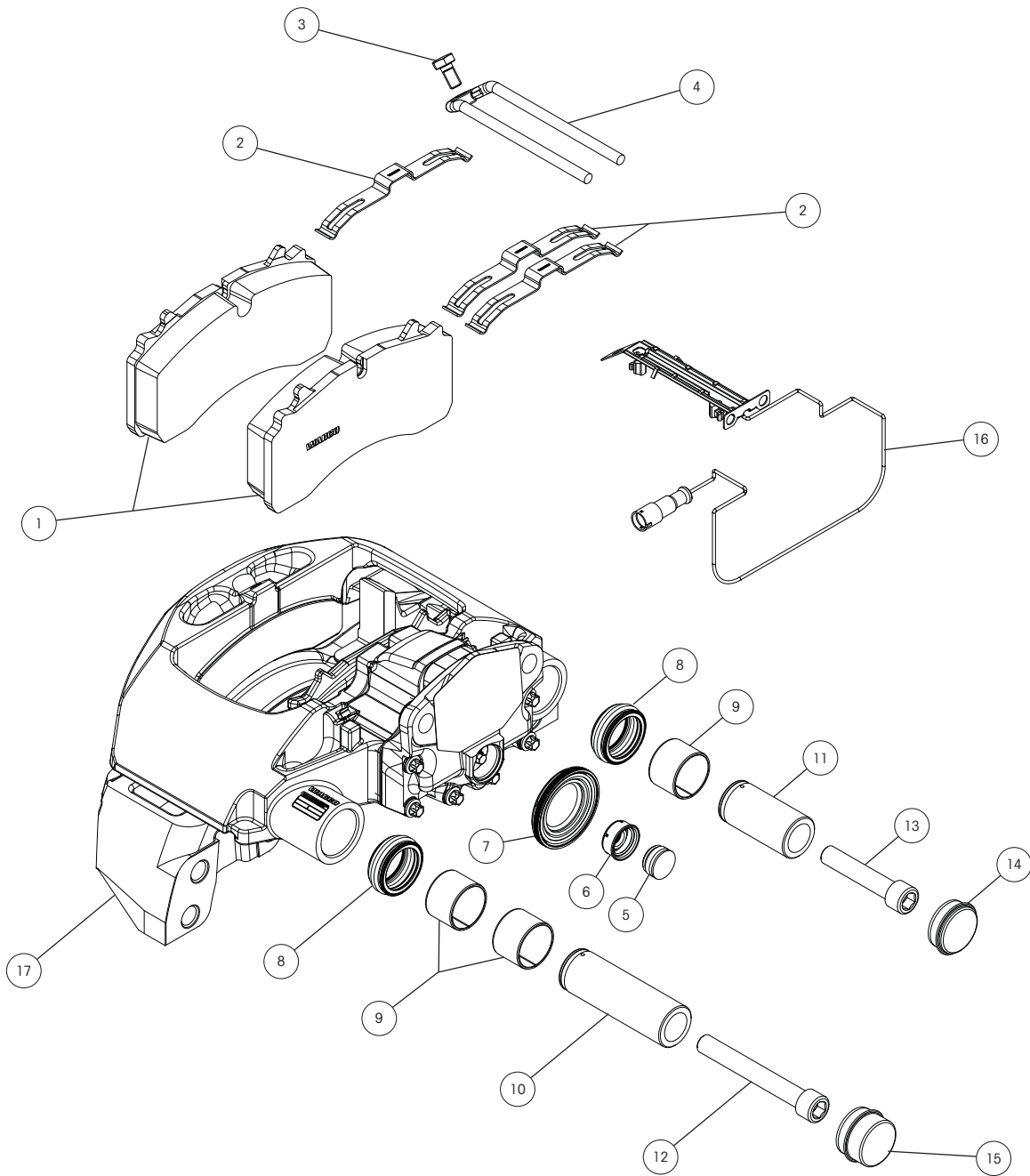
**PARTS DETAIL - BENDIX ADB22X** *(See View 3 for Image)*

Item	Description	Item	Description
1	Pad	13	Guide Pin
2	Pad Holder Spring	14	Caliper Bolt
3	Pad Retainer	15	Cap
4	Pad Retainer Pin	16	Shear Adapter
5	Washer	17	Adjuster Cap
6	Spring Clip	18	Guide Sleeve
7	Tappet and Boot Assembly	19	Guide Pin
8	Tappet Bushing	20	Caliper Bolt
9	Inner Seal	21	Cover
10	Boot Retaining Ring	22	White Grease (Not Shown)
11	Inner Boot	23	Caliper / Carrier Assembly, RH
12	Brass Bushing	24	Caliper / Carrier Assembly, LH

AIR DISC BRAKE COMPONENTS - BENDIX ADB22X *(See View 3 for Image)*

PART NO.	DESCRIPTION	AIR DISK BRAKE MODULE	CONTAINS	WILL SERVICE
S-29152-1	Pad Kit	ADB225	4 Pads, 4 Pad Holder Springs, 2 Pad Retainers, 2 Pad Retainer Pins, 2 Washers, 2 Spring Clips, 2 Shear Adapters, 2 Adjuster Caps	One Kit Per Axle
S-29152-2	Pad Kit	ADB22X	4 Pads, 4 Pad Holder Springs, 2 Pad Retainers, 2 Pad Retainer Pins, 2 Washers, 2 Spring Clips, 2 Shear Adapters, 2 Adjuster Caps	One Kit Per Axle
S-29152-3	Pad Kit	SN-7	4 Pads, 4 Pad Holder Springs, 2 Pad Retainers, 2 Pad Retainer Pins, 2 Washers, 2 Spring Clips, 2 Shear Adapters, 2 Adjuster Caps	One Kit Per Axle
S-29152-4	Splint Kit	ADB22X, ABD225, SN-7	25 Spring Clips	Bulk Service Item
S-29152-5	Shear Adapter	ADB22X, ABD225, SN-7	10 Shear Adapters	Bulk Service Item
S-29152-6	Tappet / Boot Kit	ADB22X, ABD225, SN-7	2 Tappet and Boot Assembly, 2 Tappet Bushings, 2 Inner Seals	One Kit Per Wheel End
S-29152-7	Adjuster Cover (Non Wear Sensing)	ADB22X, ABD225	10 Adjuster Caps	Bulk Service Item
S-29152-8	Adjuster Cover (Non Wear Sensing)	SN-7	10 Adjuster Caps	Bulk Service Item
S-29152-9	Guide Pin, Seal and Boot Kit	ADB22X	2 Boot Retaining Rings, 2 Inner Boots, 1 Brass Bushing, 1 Guide Pin, 1 Caliper Bolt, 1 Cap, 1 Guide Sleeve, 1 Guide Pin, 1 Caliper Bolt, 1 Cover	One Kit Per Wheel End
S-29152-10	Guide Pin, Seal and Boot Kit Rubber Bushing Retrofit to Metallic Bushing	ADB225, SN-7	2 Boot Retaining Rings, 2 Inner Boots, 1 Brass Bushing, 1 Guide Pin, 1 Caliper Bolt, 1 Cap, 1 Guide Sleeve, 1 Guide Pin, 1 Caliper Bolt, 1 Cover	One Kit Per Wheel End
S-29152-11	Guide Pin, Seal and Boot Kit DU Bushing	SN-7	2 Boot Retaining Rings, 2 Inner Boots, 1 Brass Bushing, 1 Guide Pin, 1 Caliper Bolt, 1 Cap, 1 Guide Sleeve, 1 Guide Pin, 1 Caliper Bolt, 1 Cover	One Kit Per Wheel End
S-29152-12	Guide Pin Grease	ADB22X, ABD225, SN-7	8g of White Grease	One Kit Per Wheel End
S-29152-13	Guide Pin Grease	ADB22X, ABD225, SN-7	500g of White Grease	Bulk Service Item
D-28314-1R	Caliper / Carrier Assembly, RH	ADB22X	1 Caliper, 1 Carrier and 1 Pad Kit	One Kit Per Wheel End
D-28314-1L	Caliper / Carrier Assembly, LH	ADB22X	1 Caliper, 1 Carrier and 1 Pad Kit	One Kit Per Wheel End

AIR DISC BRAKE KIT – WABCO PAN-22



View 4
Wabco Pan-22 Parts Detail

**PARTS DETAIL - WABCO PAN-22** *(See View 4 for Image)*

Item	Description	Item	Description
1	Brake Pad	10	Bolt
2	Pad Hold Down Spring	11	Bolt
3	Hexagon Bolt	12	Cylinder Head Screw
4	Down Holder Bar	13	Cylinder Head Screw
5	Plug	14	Cover
6	Sealing	15	Cover
7	Boot	16	Wear Indicator
8	Sealing	17	Caliper / Carrier Assembly
9	Bushing		

AIR DISC BRAKE COMPONENTS - WABCO PAN-22 *(See View 4 for Image)*

PART NO.	DESCRIPTION	CONTAINS	WILL SERVICE
S-32676-1	Replacement Brake Pad Kit	4 Pads, 6 Springs, 2 Bolts, 2 Holder Bars, 2 Plugs	One Kit Per Axle
S-32676-2	Replacement Wear Sensor Kit	2 Wear Indicators	One Kit Per Axle
S-32676-3	Replacement Gasket Kit	1 Plug, 1 Sealing, 1 Boot	One Kit Per Wheel End
S-32676-4	Replacement Guide Bolt Kit	1 Plug, 1 Boot, 2 Sealings, 6 Bushings, 2 Bolts, 2 Screws, 2 Covers	One Kit Per Wheel End
S-32676-5	Basic Tool Kit	1 Basic Tool	N/A
S-32676-6	Pan 22-1 Tool Kit	1 Tool for Pan 22-1	N/A
D-31346-1L	Caliper / Carrier Assembly, LH	1 Caliper, 1 Carrier and 1 Pad Kit	One Kit Per Wheel End
D-31346-1R	Caliper / Carrier Assembly, RH	1 Caliper, 1 Carrier and 1 Pad Kit	One Kit Per Wheel End



THIS PAGE INTENTIONALLY
LEFT BLANK

www.hendrickson-intl.com



Hendrickson Canada
250 Chrysler Drive, Unit #3
Brampton, ON Canada L6S 6B6
905.789.1030
Fax 905.789.1033

Trailer Commercial Vehicle Systems
2070 Industrial Place SE
Canton, OH 44707-2641 USA

866.RIDEAIR (743.3247)
330.489.0045
Fax 800.696.4416

Hendrickson Mexicana
Av. Industria Automotriz #200
Parque Industrial Stiva Aeropuerto
Apodaca, N.L., México C.P. 66600
+52 (81) 8288.1300
Fax +52 (81) 8288.1301